

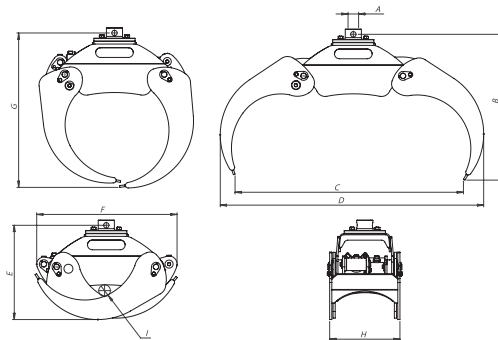
# Generation 2 accessories

GRAPPLE ASSORTMENT

## Grapple G2.1



Measure	0,12 m <sup>2</sup>	0,16 m <sup>2</sup>	0,20 m <sup>2</sup>	0,24 m <sup>2</sup>
A	Diam. 50 mm	Diam. 50 mm	Diam. 50/60 mm	Diam. 50/60 mm
B	630 mm	715 mm	700 mm	815 mm
C	875 mm	1045 mm	1255 mm	1375 mm
D	1010 mm	1225 mm	1380 mm	1470 mm
E	425 mm	510 mm	510 mm	530 mm
F	600 mm	715 mm	745 mm	785 mm
G	625 mm	730 mm	800 mm	860 mm
H	280 mm	280 mm	370 mm	395 mm
I	Diam. 55 mm	Diam. 80 mm	Diam. 70 mm	Diam. 65 mm

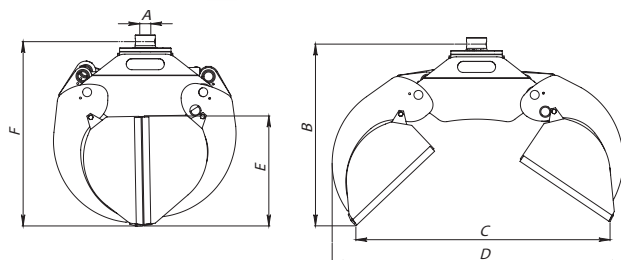
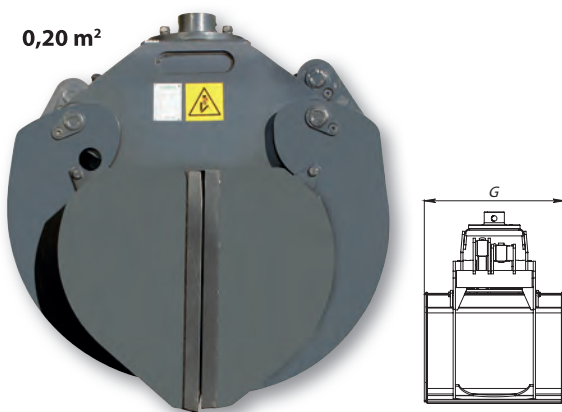


Technical data	0,12 m <sup>2</sup>	0,16 m <sup>2</sup>	0,20 m <sup>2</sup>	0,24 m <sup>2</sup>
Weight	53 kg	70 kg	115 kg	145 kg
Working pressure	17,5 MPa	17,5 MPa	17,5 MPa	21,0 MPa
Gripping force arms tip-tip	6,3 kN	7,0 kN	8,25 kN	11,0 kN
Max. load	1000 kg	1000 kg	1500 kg	2000 kg

## Insert buckets G 2.1

Insert buckets for the use together with Generation 2 grapples.

0,20 m<sup>2</sup>

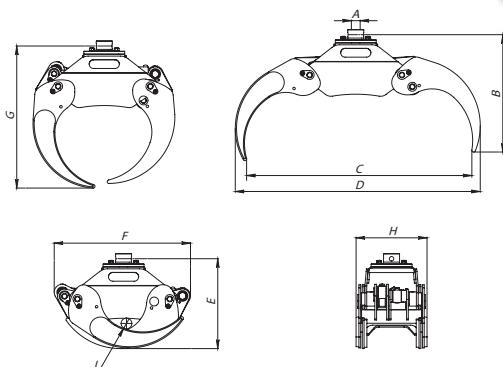


Measure	0,12 m <sup>2</sup>	0,16 m <sup>2</sup>	0,20 m <sup>2</sup>
A	Diam. 50 mm	Diam. 50 mm	Diam. 50/60 mm
B	695 mm	750 mm	770 mm
C	795 mm	1045 mm	1280 mm
D	975 mm	1225 mm	1380 mm
E	390 mm	435 mm	490 mm
F	670 mm	765 mm	830 mm
G	525 mm	525 mm	625 mm

Technical data	0,12 m <sup>2</sup>	0,16 m <sup>2</sup>	0,20 m <sup>2</sup>
Weight	35 kg	40 kg	50 kg
Working pressure	17,5 MPa	17,5 MPa	19,0 MPa
Gripping force arms tip-tip	6,3 kN	6,8 kN	9,0 kN
Volume	58 l	80 l	110 l
Max. load	500 kg	500 kg	750 kg

# Energy brush grapple G2.1

0,20 m<sup>2</sup>

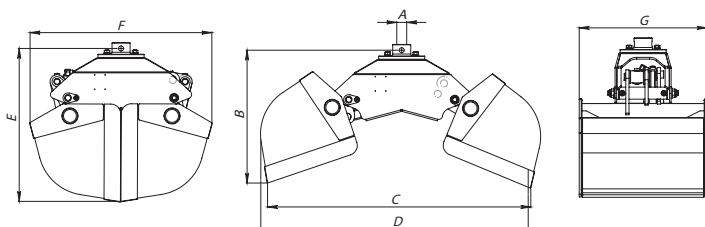


Measure	0,12 m <sup>2</sup>	0,16 m <sup>2</sup>	0,20 m <sup>2</sup>
A	Diam. 50 mm	Diam. 50 mm	Diam. 50/60 mm
B	615 mm	690 mm	670 mm
C	875 mm	1065 mm	1265 mm
D	1010 mm	1230 mm	1380 mm
E	425 mm	505 mm	510 mm
F	585 mm	725 mm	745 mm
G	640 mm	730 mm	800 mm
H	290 mm	305 mm	400 mm
I	Diam. 40 mm	Diam. 75 mm	Diam. 70 mm

Technical data	0,12 m <sup>2</sup>	0,16 m <sup>2</sup>	0,20 m <sup>2</sup>
Weight	57 kg	85 kg	125 kg
Working pressure	17,5 MPa	17,5 MPa	19 MPa
Gripping force arms tip-tip	6,0 kN	6,5 kN	9,0 kN
Max. load	1000 kg	1000 kg	1500 kg

# Grapple bucket G 2.1

160 l



The grapple bucket is available in a version for professional use.

Measure	160 l	200 l
A	Diam. 50/60 mm	Diam. 50/60 mm
B	705 mm	705 mm
C	1355 mm	1355 mm
D	1420 mm	1420 mm
E	785 mm	785 mm
F	925 mm	925 mm
G	555 mm	685 mm

Technical data	160 l	200 l
Weight	172 kg	182 kg
Size, rotator mount	50/60*	50/60*
Working pressure	19 MPa	19 MPa
Gripping force arms tip-tip	9,0 kN	9,0 kN
Volume	160 l	200 l
Max. load	1000 kg	1000 kg

\* This model is supplied with a replaceable rotator mount. Specify the desired mount when ordering. The underlined figure is the standard option.